



LEICA MAGNUS i

Technical Data.



Designation	Leica Magnus 1 – 6.3 x 24 i	Leica Magnus 1.5 – 10 x 42 i
Device type	Riflescope	Riflescope
Scope of delivery	riflescope caps for front lens / eyepiece, cleaning tissue, battery, instruction manual	riflescope caps for front lens / eyepiece, cleaning tissue, battery, instruction manual
Front lens diameter	24 mm	42 mm
Magnification	1 – 6.3x	1.5 – 10x
Zoom	6.3x	6.7x
Field of view at 100 m (min. up to max. magnification)	44 m to 6.5 m	26 m to 4.1 m
Eye relief	> 3.5 in / 90 mm	> 3.5 in / 90 mm
Exit pupil	12.4 – 3.8 mm	12.4 – 4.2 mm
Parallax-free	100 m	100 m
Diopter compensation	-4/+3 dpt	-4/+3 dpt
Coating	AquaDura® lens coating	AquaDura® lens coating
Transmission	approx. 92%	approx. 92%
Focal plane reticle	2nd focal plane	2nd focal plane
Available reticles	L-4a, L-3D	L-4a
Reticle adjustment (100 m)	400x400 cm	260x260 cm
Impact point correction (100 m)	1 click = 1 cm / 100 m (~1/3 MOA)	1 click = 1 cm / 100 m (~1/3 MOA)
Reticle illumination	dot	dot
Size illuminated dot (10x magnification)	2.4 cm / 100 m	1.5 cm / 100 m
Light levels	120	120
Central tube diameter	30 mm	30 mm
Mounting option	1.18 in / 30 mm rings / Zeiss internal rail	1.18 in / 30 mm rings / Zeiss internal rail
Front lens filter thread	M28x0.75	M46x0.75 mm
Length	10.7 in / 272 mm	12.5 in / 317 mm
Weight	19.2 oz / 544 g (with rail: 22.2 oz / 570 g)	21.9 oz / 620 g (with rail: 22.9 oz / 650 g)
Waterproof	waterproof to 13.1 ft / 4 m; nitrogen-filled	waterproof to 13.1 ft / 4 m; nitrogen-filled
Automatic switch-off	3 min, ± 75°	3 min, ± 75°
Automatic switch-on	yes, activated by position and/or movement	yes, activated by position and/or movement
Battery	1 x CR2032	1 x CR2032
Order No. (Reticle)		
L-4a / with rail	52 120 / 52 121	53 130 / 53 131
L-4a with BDC / with rail	--	--
L-3D / with rail	52 110 / 52 111	--



LEICA MAGNUS i

Technical Data.

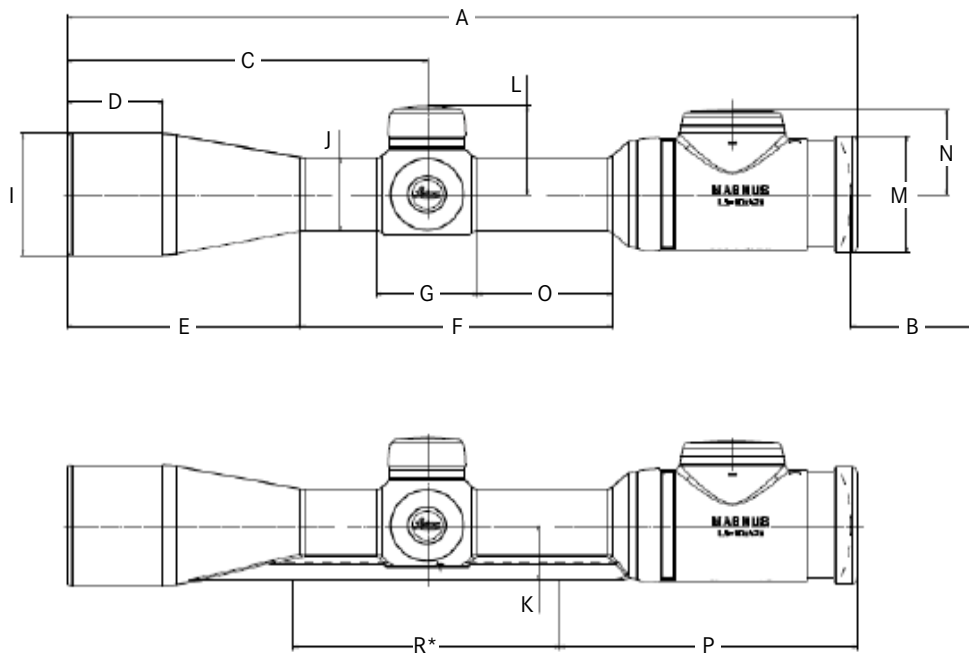


Designation	Leica Magnus 1.8 – 12 x 50 i	Leica Magnus 2.4 – 16 x 56 i
Device type	Riflescope	Riflescope
Scope of delivery	riflescope caps for front lens / eyepiece, cleaning tissue, battery, instruction manual	riflescope caps for front lens / eyepiece, cleaning tissue, battery, instruction manual
Front lens diameter	50 mm	56 mm
Magnification	1.8 – 12 x	2,4 – 16 x
Zoom	6.7 x	6,7x
Field of view at 100 m (min. up to max. magnification)	22.5 m to 3.7 m	17 m bis 2,6 m
Eye relief	> 3.5 in / 90 mm	> 3.5 in / 90 mm
Exit pupil	12.4 – 4.2 mm	12,4 – 3,5 mm
Parallax-free	100 m	einstellbar, 50 m bis unendlich
Diopter compensation	-4/+3 dpt	-4/+3 dpt
Coating	AquaDura®-Vergütung	AquaDura®-Vergütung
Transmission	approx. 92%	ca. 92%
Focal plane reticle	2nd focal plane	2nd focal plane
Available reticles	L-4a	L-4a
Reticle adjustment (100 m)	230 x 230 cm	200 x 200 cm
Impact point correction (100 m)	1 click = 1 cm / 100 m (~1/3 MOA)	1 click = 1 cm / 100 m (~1/3 MOA)
Reticle illumination	dot	dot
Size illuminated dot (10x magnification)	1.5 cm / 100 m	1.5 cm / 100 m
Light levels	120	120
Central tube diameter	30 mm	30 mm
Mounting option	1.18 in / 30 mm rings / Zeiss internal rail	1.18 in / 30 mm rings / Zeiss internal rail
Front lens filter thread	M 52 x 0,75 mm	M 58 x 0,75 mm
Length	13.9 in / 335 mm	14.2 in / 360 mm
Weight	24.7 oz / 700 g (with rail: 25.6 oz / 725 g)	27.7 oz / 785 g (with rail: 28.7 oz / 815 g)
Waterproof	waterproof to 13.1 ft / 4 m; nitrogen-filled	waterproof to 13.1 ft / 4 m; nitrogen-filled
Automatic switch-off	3 min, ± 75°	3 min, ± 75°
Automatic switch-on	yes, activated by position and/or movement	yes, activated by position and/or movement
Battery	1 x CR2032	1 x CR2032
Order No. (Reticle)		
L-4a / with rail	53 160 / 53 161	54 130 / 54 131
L-4a with BDC / with rail	53 162 / 53 163	54 132 / 54 133



LEICA MAGNUS i

Dimensions.



	Leica Magnus 1 – 6.3x24 i without / with rail	Leica Magnus 1.5 – 10x42 i without / with rail	Leica Magnus 1.8 – 12x50 i without / with rail	Leica Magnus 2.4 – 16x56 i without / with rail
A	272 mm	316 mm	333 mm	360 mm
B	91 mm	91 mm	91 mm	91 mm
C	100 mm	144 mm	161 mm	188 mm
D	--	38 mm	54 mm	59 mm
E	79 mm	93 mm	103 mm	122 mm
F	E+ F: 174 mm	125 mm	132 mm	140 mm
G	40 mm	40 mm	40 mm	40 mm
I	30 mm	50 mm	57 mm	62 mm
J	30 mm	30 mm	30 mm	30 mm
K	23 mm	23 mm	23 mm	23 mm
L	36 mm	36 mm	36 mm	31 mm
M	48 mm	48 mm	48 mm	48 mm
N	35 mm	35 mm	35 mm	35 mm
O	54 mm	54 mm	54 mm	54 mm
P	119 mm	119 mm	119 mm	119 mm
R*	139 mm	107 mm	111 mm	115 mm

*useful rail length