

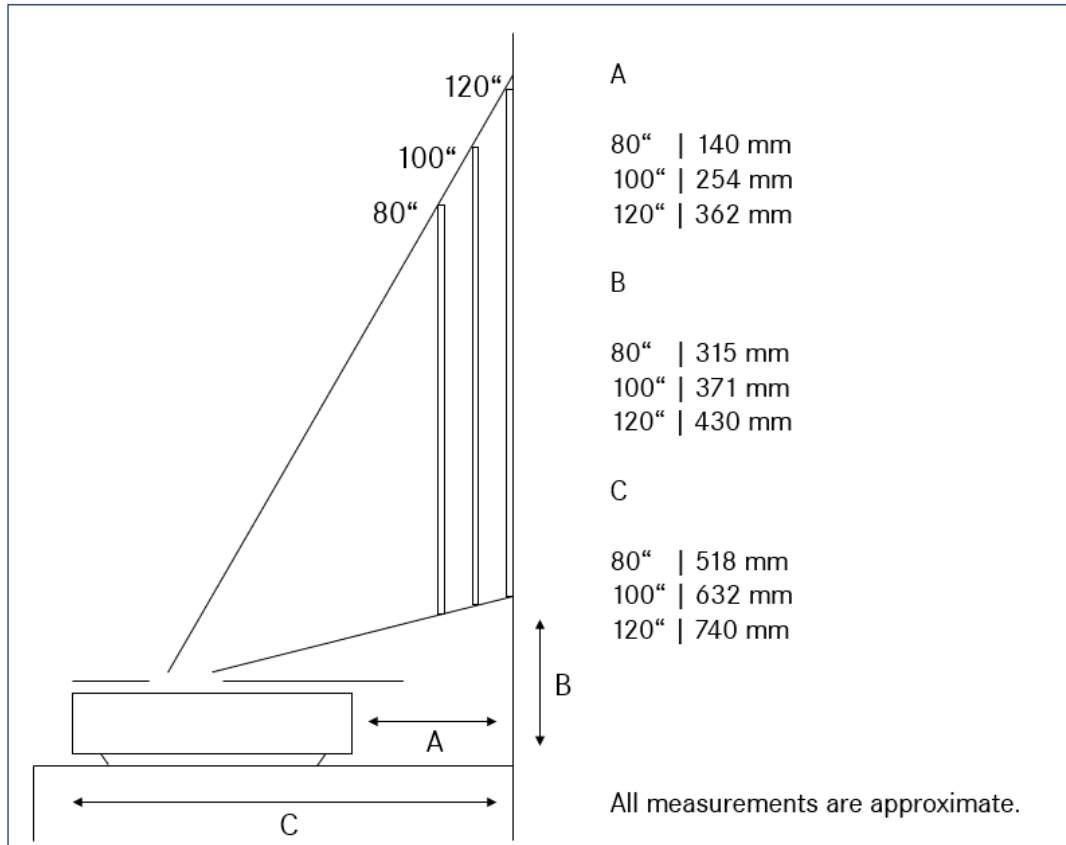


# LEICA CINE 1

## Installation guideline Cine 1

### Distances and height

The graphic below shows the distance of the Cine 1 to the screen and the height of the screen above the projector.



POSITION	LEICA CINE 1   120	LEICA CINE 1   100	LEICA CINE 1   80
A - Distance backside of Cine 1 to the screen	362 mm	254 mm	140 mm
B - Distance bottom of Cine 1 (= low board/table) to the screen	430 mm	371 mm	315 mm
C - Distance frontside of Cine 1 to the screen	740 mm	632 mm	518 mm

\* The max. deviation of the dimension B is  $\pm 5\%$ . The deviation to be handled by adjusting the height of the screen.

\* Instead to the wall, A and B need to be measured to the screen.

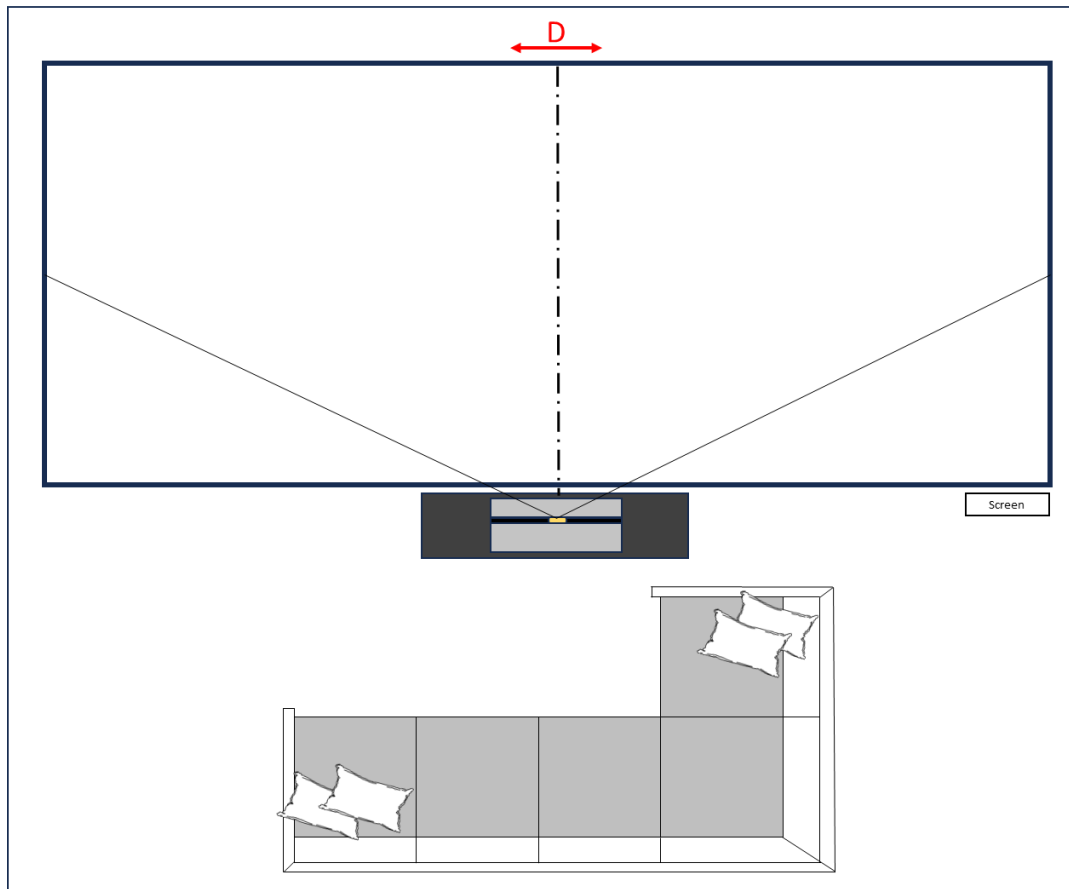


# LEICA CINE 1

## Horizontal shift of the Cine 1 in relation to the image on the screen

By technical reasons, the projected image might be slightly shifted in relation to the projector (see picture below).

Especially, when you are setting up a build-in solution with motorized screen, you should compensate the shift by a horizontal adjustment of the screen and not by a horizontal movement of the projector in order to prevent a visual disproportion of the Cine 1 in the furniture.



Maximum shift between projector and image on the screen.

DIMENSION	LEICA CINE 1   120	LEICA CINE 1   100	LEICA CINE 1   80
D - Max. shift between the projected image and the projector	362 mm	254 mm	140 mm

## Delayed switch to standby mode

If you use a motorized screen, the roll up/down can be triggered using a USB trigger cable. Please note that under some conditions (like for example Wake on Cast, Wake on Wireless Network and Wake on LAN) the roll down starts with a delay after switching off the Cine 1.