



# **LEICA TEMPUS 2 ASPH.**

Instruction manual



## FOREWORD

Dear Customer,  
we wish you a great deal of enjoyment and every success with your new Leica product.

Please read this manual to familiarize yourself with the full scope of functions your product has to offer.

Please use this product only as described in this manual. Only then can safe and easy operation be guaranteed.

Your Leica Camera AG

**Please read the chapters “Safety Remarks” and “Important Information” before using the product for the first time. Knowledge of the content will prevent inadvertent damage to the product, possible injuries and other risks.**

## SCOPE OF DELIVERY

The standard scope of delivery\* contains the following:

- Leica Tempus 2 ASPH.
- Protective cap
- 2 mounting screws (T10)
- Tool for extracting the battery bracket
- Hex key 1.5 mm
- Test certificate
- Battery (CR 2032)

## REPLACEMENT PARTS / ACCESSORIES

Contact Leica Customer Care or your specialist Leica retailer for details on the latest replacement parts / accessory range:

<https://leica-camera.com/en-US/dealer-locator>

\* The actual scope of delivery may vary depending on model.

## LEGAL INFORMATION

### LEGAL INFORMATION ABOUT THIS MANUAL

#### COPYRIGHT

All rights reserved.

All text, images and graphics are subject to copyright and other laws to protect intellectual property. They must not be copied, modified or used for any purpose including trade purposes.

#### TECHNICAL DATA

Product changes with regards to the product or services may have occurred after the editorial deadline. The manufacturer reserves the right to effect structural or shape changes, color deviations and changes to the scope of delivery or service, where these changes or deviations are reasonably acceptable for the customer, while taking into consideration the interests of Leica Camera AG. To that extent, Leica Camera AG reserves the right to changes and errors. The images in this manual may depict accessory, special features or other items that are not part of the standard scope of delivery or service. Some pages may contain model types and services, which are not offered in specific countries.

#### BRANDS AND LOGOS

The brand names and logos used in this document are protected trademarks. These brands or logos must not be used without prior approval by Leica Camera AG.

#### LICENSE RIGHTS

Leica Camera AG intends to provide you with innovative and informative documentation. Due to the amount of creativity that has gone into its design, we ask for your understanding that Leica Camera AG must protect its intellectual property, including patents, trademarks and copyrights, and that possession of the documentation does not infer any licensing rights of the intellectual property of Leica Camera AG.



## REGULATORY INFORMATION

You will find the manufacturing date of your product on the stickers of the packaging. The date format is year/month/day.

## DISPOSAL OF ELECTRICAL AND ELECTRONIC EQUIPMENT

(Applies within the EU and for other European countries with active waste separation policies.)



This device contains electrical and/or electronic components which must not be disposed of in general household waste. Instead, it should be disposed of at a recycling collection point provided by your local authority.

This service is free of charge. Any standard or rechargeable batteries used in this device must be removed and disposed of separately in accordance with local regulations.

Please contact your local authorities, waste disposal collection point or the retailer, from whom you purchased the device for more information on correct waste disposal.

## SAFETY REMARKS

### GENERAL INFORMATION

- Keep the device out of the reach of small children.
- Do not attempt to disassemble or modify the device; exposing the internal electronics may cause damage, injury or electric shock.

### BATTERY

- Only the battery type stated and described in this manual must be used. Any improper use of the batteries or the use of unapproved battery types may result in an explosion!
- Do not expose the batteries to direct sunlight, heat, humidity or moisture for prolonged periods of time. Likewise, the batteries must not be placed in a microwave oven or a high-pressure container as this would pose a fire or explosion hazard!
- Never dispose of batteries in fire and never attempt to heat, recharge, dismantle or break open a battery.
- Batteries must always be stored out of the reach of children. Do not leave batteries lying around, as they could be swallowed by children or pets.

## IMPORTANT INFORMATION



### GENERAL INFORMATION

- Protect the device against any kind of shocks that are not caused by the weapon.
- Damaged sealing rings must be replaced.
- Do not attempt to take the device apart yourself. Repairs must only be carried out by authorized workshops.
- Make a note of the serial number of your device, as this information will be extremely important in case of loss.
- Depleted batteries must never be disposed of in household waste as they contain toxic materials that are harmful to the environment. Battery collection points are provided at most large retail outlets; alternatively, you can dispose of old batteries at a local special waste collection point to ensure correct recycling.
- Remove the battery from the housing if you will not be using the product for an extended period of time.
- Do not use excessive force when making adjustments via the adjustment screws.
- Low temperatures impair battery performance. Carry the device close to the body in cold conditions and use a fresh battery.
- Make sure to store the batteries in a cool, dry place.



## WARRANTY

In addition to your statutory warranty rights with regards to the seller, Leica Camera AG offers a 5-year warranty for the optics, housing and the electronics of this Leica product as stated in the conditions below. The Leica warranty does not impact on any statutory consumer rights in accordance with relevant national law or any consumer rights vis-à-vis the retailer arising from the purchase contract concluded between them.

### WARRANTY CONDITIONS

Our five-year warranty for this product commences on the date of sale by an authorized retailer under the following conditions:

1. Any claims related to manufacturing defects during the warranty period will be remedied free of charge at our discretion by repairing the defect, replacing defective parts or by replacing the faulty product with a similar product of perfect function. All other claims of any kind and on whatever legal basis shall not be accepted in connection with this warranty.
2. Wear parts like eyecups, leather details, armoring, carry straps and accessories are exempt from the warranty. The same applies for surface damage.
3. Any warranty claims become void if the defect in question is a result of improper handling – which also includes the use of third-party accessories – or if the product was manipulated by unauthorized persons or workshops or if the serial number of the product was rendered illegible.
4. Warranty claims can be submitted only in conjunction with the original proof of purchase – complete with the date of purchase, as well as the address and signature of an authorized retailer.
5. In case of a warranty claim, please send the Leica product, the original proof of purchase and a description of the fault to Leica Camera AG Customer Care.

### PICK-UP SERVICE FOR REPAIR SUBMISSIONS

(Applies for EU only)

We will organize the shipping of your device to our Customer Care department if you should notice a problem with your device during the warranty period. Please contact our service hotline to make the necessary arrangements (+49 (0)6441 2080 189). Our pick-up service will collect your Leica product at the agreed time from your premises free of charge and transport it to our Customer Care location for evaluation.

Contact: <https://leica-camera.com/en-US/contact>

## TABLE OF CONTENTS

FOREWORD.....	2
SCOPE OF DELIVERY .....	2
REPLACEMENT PARTS / ACCESSORIES .....	2
LEGAL INFORMATION.....	3
SAFETY REMARKS .....	5
IMPORTANT INFORMATION.....	5
WARRANTY.....	6
TABLE OF CONTENTS .....	7
PART DESIGNATIONS .....	8
PREPARATION .....	9
<b>ATTACHING THE SAFETY CORD.....</b>	<b>9</b>
<b>INSERTING/CHANGING THE BATTERY .....</b>	<b>9</b>
<b>TEMPUS 2 MOUNTING SET.....</b>	<b>10</b>
SETTINGS AND OPERATION .....	11
<b>POWERING ON/OFF.....</b>	<b>11</b>
AUTOMATIC STANDBY.....	11
<b>ADJUSTING THE POINT OF IMPACT .....</b>	<b>12</b>
<b>SETTING THE BRIGHTNESS.....</b>	<b>12</b>
CARE/CLEANING .....	13
TECHNICAL DATA .....	14
LEICA CUSTOMER CARE.....	15

### Definition of the various categories of information found in this manual

#### Note

- Additional information

#### Caution

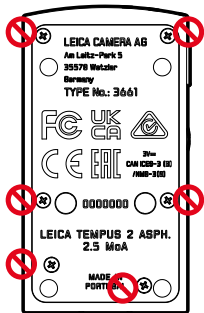
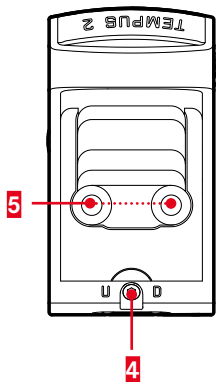
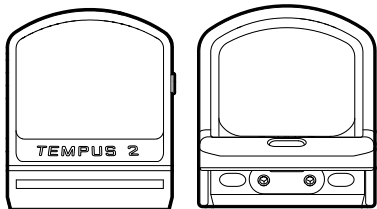
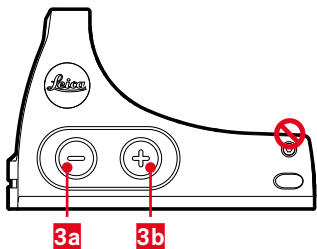
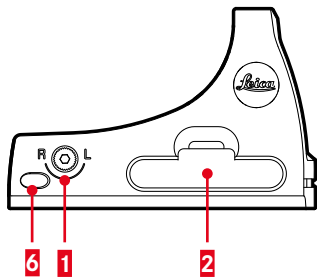
- Non-compliance may result in damage to the device and accessories
- Non-compliance may result in personal injury

#### Warning

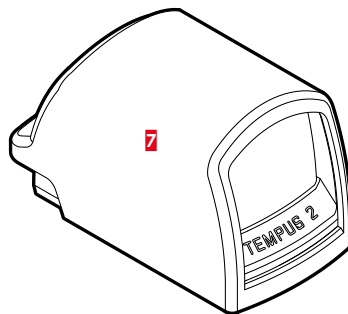
- Non-compliance may result in serious injury or death



## PART DESIGNATIONS



- 1** Lateral adjustment screw
- 2** Battery bracket
- 3a/3b** Brightness adjustment buttons  
On/Off
- 4** Vertical adjustment screw
- 5** Mounting bores (Docker profile)  
**Do not tamper with the housing screws!**
- 6** Eyelet for safety cord
- 7** Protective cap



### Caution

Never look directly at the sun or other bright sources of light through your Leica optics! Doing so may seriously damage your eyes.

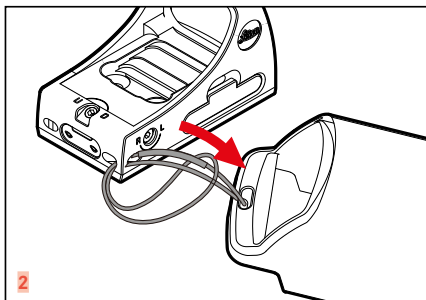
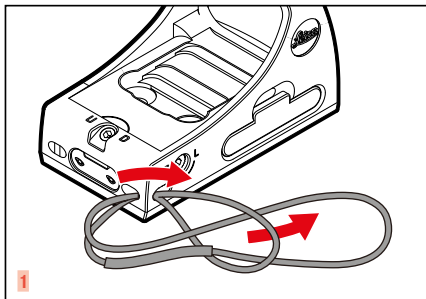
### Warning

Make sure the device is not loaded before doing any work or changing settings on the rifle scope and before changing batteries.



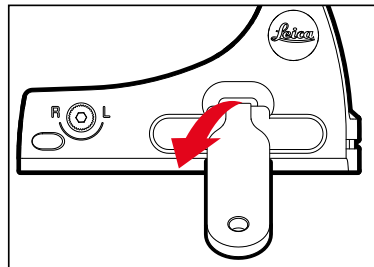
## PREPARATION

### ATTACHING THE SAFETY CORD

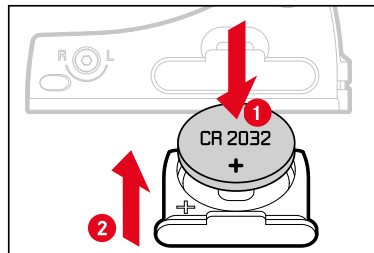


### INSERTING/CHANGING THE BATTERY

A 3V lithium coin cell (type CR 2032) is required for the power supply.



- ▶ Use the tool provided to hook into the upper edge of the battery bracket to extract it
- ▶ Remove old batteries (where inserted)



- ▶ Place the battery in the bracket compartment
  - Ensure correct polarity: + = top
- ▶ Insert the battery bracket



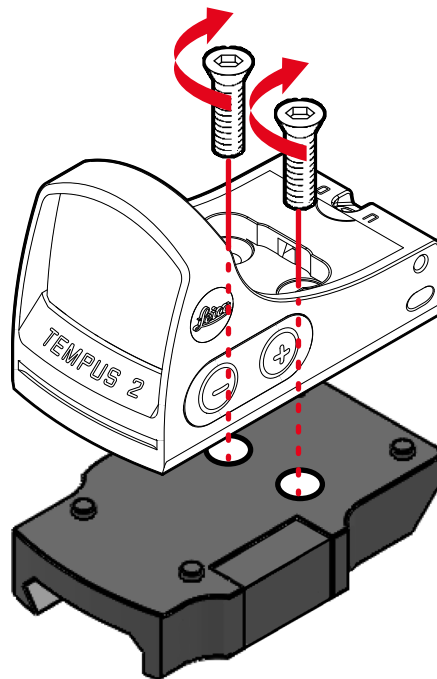
## TEMPUS 2 MOUNTING SET (optional accessory)

The device is attached to the EAW assembly via two Torx screws.

- ▶ Position the device as shown on the EAW assembly with the cut-outs placed for a correct fit.
- ▶ Insert the Torx screws into the openings and tighten with approx. 1 Nm

### Note

- The Tempus 2 mounting set is suitable only for assembly on a Picatinny rail.



## SETTINGS AND OPERATION

### POWERING ON/OFF

#### To switch on the device

- ▶ Briefly press one of the two brightness adjustment buttons

#### To switch off the device

- ▶ Press and hold one of the two brightness adjustment buttons briefly (≈3s)

### AUTOMATIC STANDBY

To save battery power, the integrated orientation sensor will automatically switch off the luminous reticle in one of the following situations.

- if the luminous reticle is not moved for more than 3 minutes (e.g. on a raised hide)
- if the luminous reticle is tilted to one side by more than 45° (e.g. when the weapon is set aside temporarily)
- if the rifle scope is tilted by more than approx. 80° upward or 65° downward (e.g. when the weapon is shouldered)

The illuminated dot will be automatically reactivated with the previously set brightness, once these conditions no longer apply.

The automatic standby function and the standby duration of 4 hours can be enabled or disabled.

### ACTIVATE/DEACTIVATE FUNCTION

- ▶ Start device
- ▶ Press and hold both brightness adjustment buttons (**3a** and **3b**) simultaneously for approx. 3s

The status of the automatic standby function is represented by the illuminated dot.

Illuminated dot	Status
Flashes <u>once</u>	Automatic standby disabled
Flashes <u>twice</u>	Automatic standby enabled

### STANDBY TIMER (4 HOURS)

#### ENABLE

- ▶ Switch off the device
- ▶ Press and hold both brightness adjustment buttons (**3a** and **3b**) simultaneously for approx. 3s
  - Illuminated dot remains off: timer is activated.

#### DISABLE

- ▶ Switch off the device
- ▶ Press and hold both brightness adjustment buttons (**3a** and **3b**) simultaneously for approx. 5s
  - Illuminated dot flashes: timer was (previously) deactivated.



## ADJUSTING THE POINT OF IMPACT

A calibration of the LED unit to align with the weapon is necessary if there are point of impact offsets.

The procedure is the same on the two adjustment screws (page: **1**, elevation: **4**).

- ▶ Turn the adjustment screws to effect compensation (see below)
  - The illuminated dot will move in the relevant direction.
  - The adjustment screws come with a very fine detent. One click is equal to 1.1 MOA.



– Point of impact too high  
(downward correction required)

- ▶ Turn the adjustment screw **4** in clockwise direction



– Point of impact too low  
(upward correction required)

- ▶ Turn the adjustment screw **4** in anti-clockwise direction



– Point of impact too far left  
(correction to the right required)

- ▶ Turn the adjustment screw **1** in clockwise direction



– Point of impact too far right  
(correction to the left required)

- ▶ Turn the adjustment screw **1** in anti-clockwise direction

## SETTING THE BRIGHTNESS

The brightness of the illuminated dot can be adjusted in multiple increments.

### Decreasing the brightness

- ▶ Press the button **3a** once.

### Increasing the brightness

- ▶ Press the button **3b** once.

### Note

- The illuminated dot will deactivate automatically after 4 mins of inactivity. The preset brightness setting of the illuminated dot will be retained.

## CARE/CLEANING

- Your Leica product requires no special care.
- Coarse dirt particles like sand can be removed with a soft brush or simply blown off.
- Fingerprints, etc. on front lenses and eyepiece lenses can be pre-cleaned with a damp cloth and then wiped dry with a clean leather or lint-free cloth.
- The device should be stored in a well-ventilated, dry and cool place to prevent fungal growth (particularly important in humid climates).
- Do not use alcohol or chemical cleaning solutions on the optics or housing.
- Do not use excessive force when cleaning a severely soiled lens surface. The coating is abrasion resistant, but not impervious to sand or salt crystals.
- The housing should be cleaned using a damp leather cloth only. Using a dry cloth may cause friction, which may result in a static discharge.
- Always rinse off any traces of salt water! Dried salt crystals could damage the surfaces.



## TECHNICAL DATA

<b>Designation</b>	<b>Tempus 2 ASPH. 2.5 MOA</b>
Order No.	55503 / 55501 (incl. mounting set)
Front lens (aspherical)	21 x 25 mm
Parallax-free	40 m
Mounting options	Docter Sight
Adjusting the point of impact	1.1 MOA per click (1.6 cm at 50 m)
Reticle adjustment range	100 x 100 MOA (approx. 1.5 m at 50 m)
Illuminated dot size	2.5 MOA (3.6 cm at 50 m)
Reticle lighting	12 increments
Automatic switch-off	yes (after 3 mins or depending on position/directionality)
Waterproofing	1 m/10 min
Weight	37 g/40 g (without/with battery)
Dimensions (LxWxH)	53.5 x 34.5 x 28 mm
Shooting stability	1000 g (1 ms), not suitable for pistols
Power supply	CR 2032 - lithium coin battery, 3V, 230 mAh

Subject to changes in design, production, and scope of delivery.

## LEICA CUSTOMER CARE

Please contact the Customer Care department of Leica Camera AG for the maintenance of your Leica equipment and for help and advice regarding Leica products and how to order them. You can also contact the Customer Care department or the repair service provided by your regional Leica subsidiary for repairs or warranty claims.

### **Leica Camera AG**

Leica Customer Care  
Am Leitz-Park 5  
35578 Wetzlar  
Germany

**Phone:** +49(0)6441 2080-189

**Fax:** +49(0)6441 2080-339

**Email:** [customer.care@leica-camera.com](mailto:customer.care@leica-camera.com)

<https://leica-camera.com>